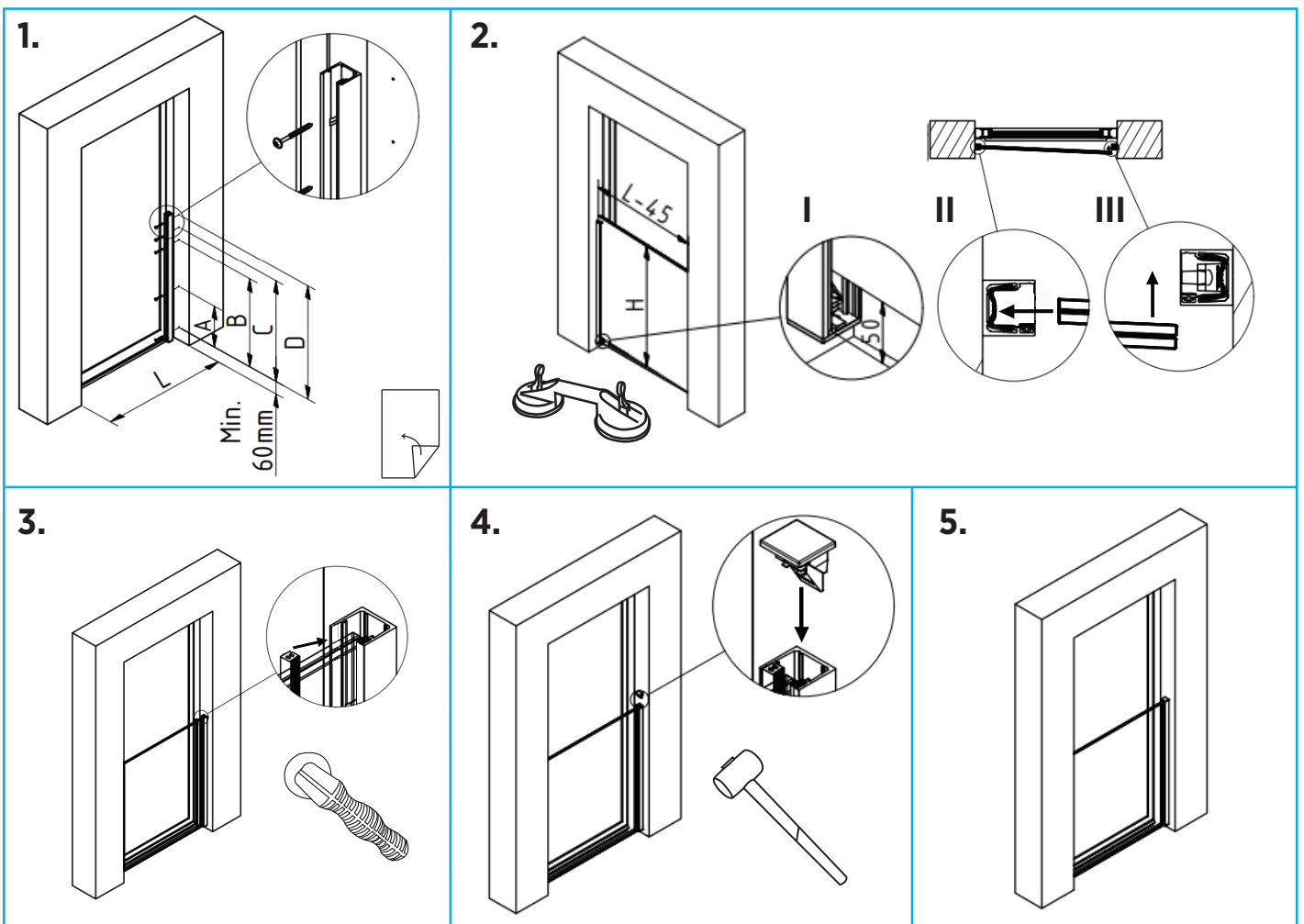
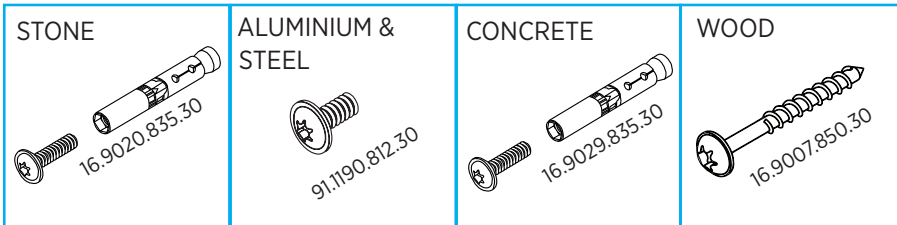
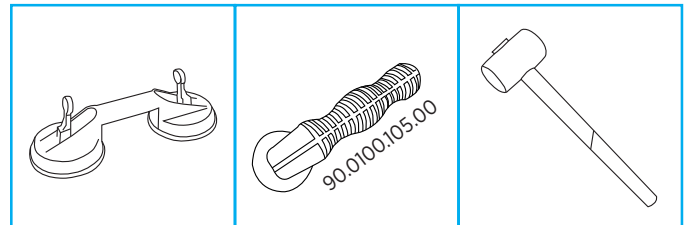
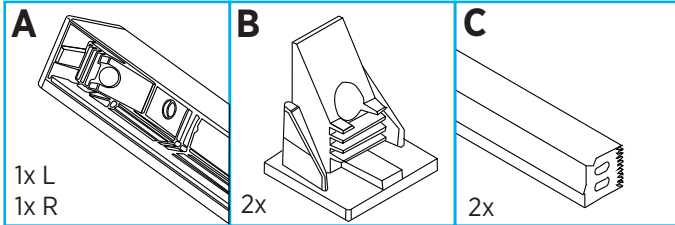


# SKYFORCE SIDE

## INSTRUCTION SHEET

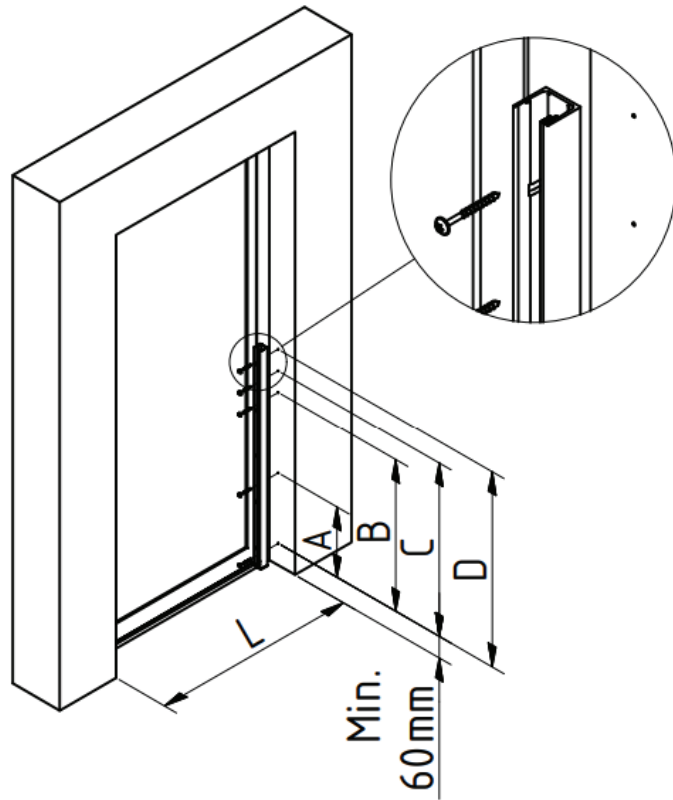
# ONLEVEL

## MATERIALS



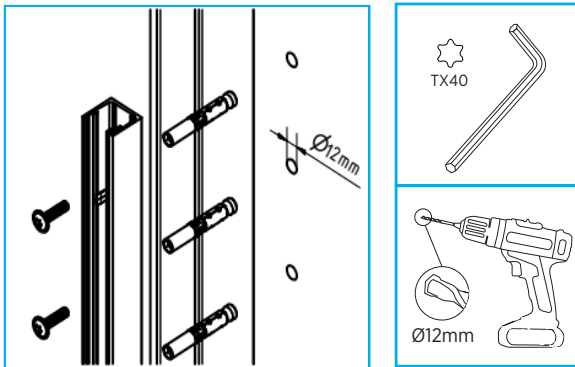
# SKYFORCE SIDE

## INSTRUCTION SHEET



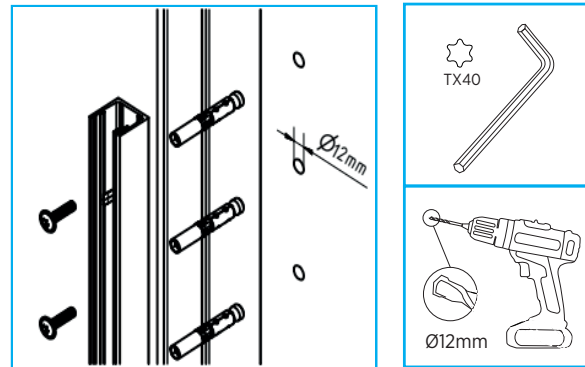
H	900mm	1000mm	1100mm
A	400	450	500
B	600	700	800
C	700	800	900
D	800	900	1000

### STONE

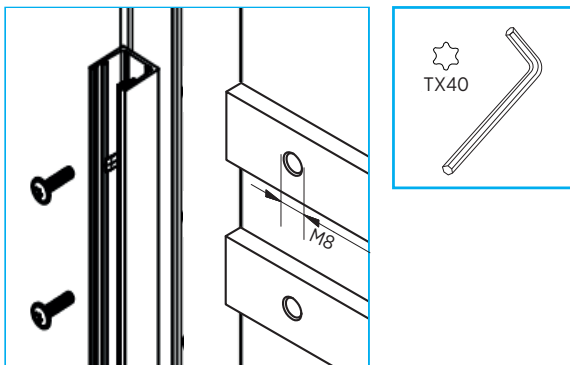


\*Anchor suitable for natural stone with dense structure

### CONCRETE



### ALUMINIUM & STEEL



### WOOD

